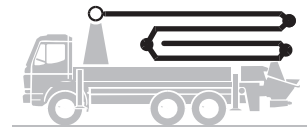


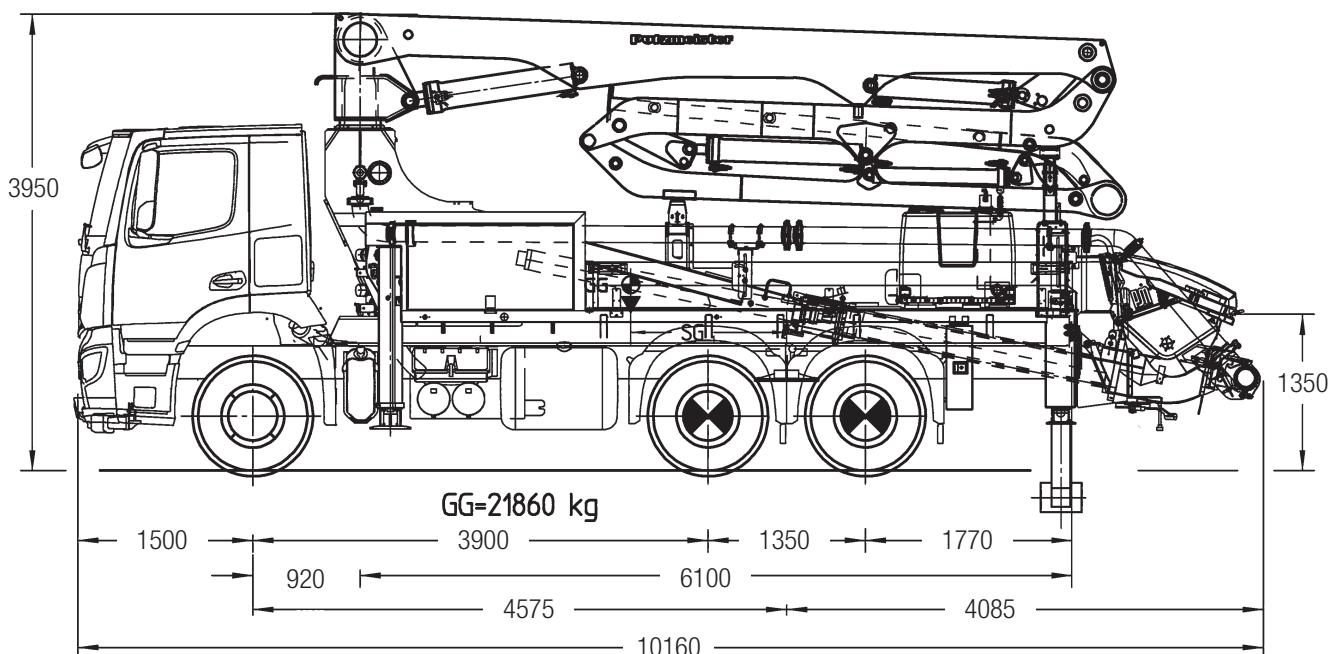
Truck-mounted concrete pump

BSF 24-4.09 H

Output up to 160 m³/h
 Delivery pressure up to 130 bar*



.11 H
 .11 H LS
 .16 H



Note: Standard version on 3 axles. Dimensions and weights depend on truck, pump model and equipment.
 Dimensions in mm, MB-Arocs 2636 as example.
 * For .14 H and .16 H a 3-axle truck is required.
 For illustration only.

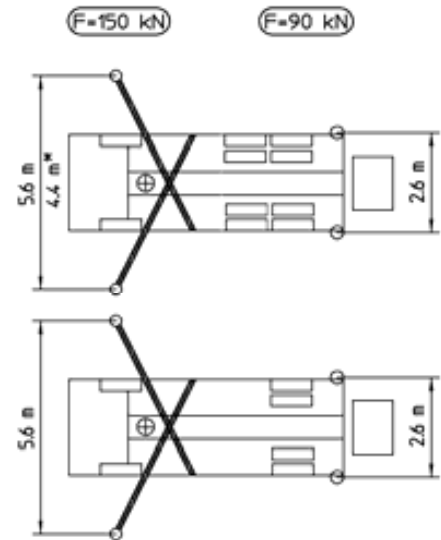
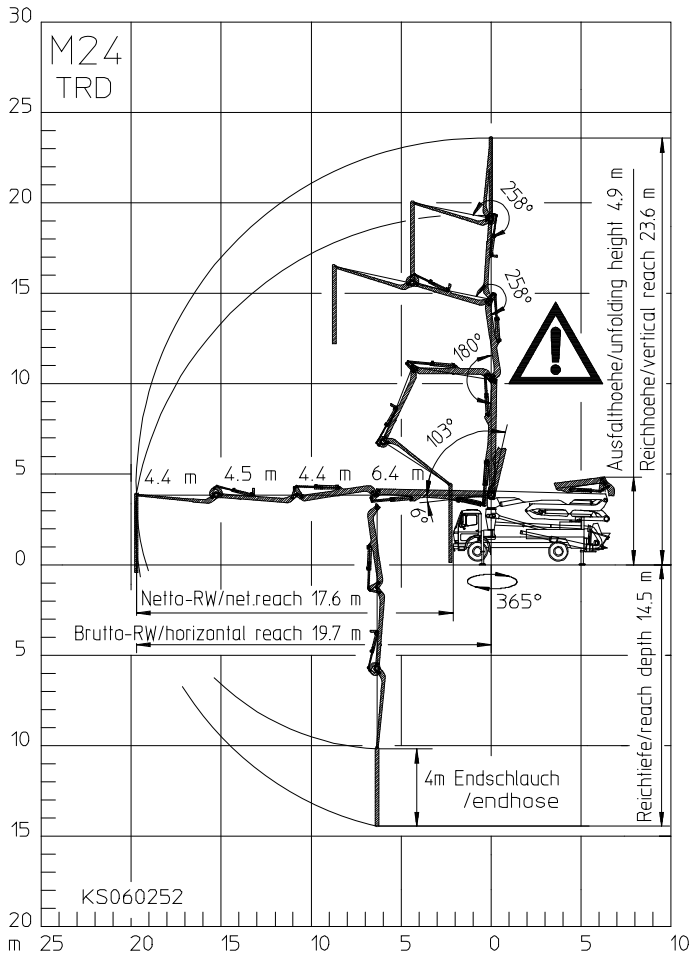
Technical data

| Boom M 24-4 | | | |
|------------------|-------|---|--------|
| Sections | | | 4 |
| Reach height | m | | 23.6 |
| Horizontal reach | gross | m | 19.7 |
| | net | m | 17.6 |
| Reach depth max. | m | | 14.5 |
| Unfolding height | m | | 4.9 |
| End hose length | m | | 4 |
| Folding system | | | ZR |
| Delivery line | | | DN 125 |

| Pump | | BSF | .09 H | .11 H | .11 H LS | .16 H |
|-------------|-------------------|-------------------|-------|-------|----------|-------|
| Rod side | Output | m ³ /h | - | - | - | 160 |
| | Delivery pressure | bar | - | - | - | 85 |
| | Strokes | 1/min. | - | - | - | 31 |
| Piston side | Output | m ³ /h | 90 | 110 | 110 | 108 |
| | Delivery pressure | bar | 78 | 78 | 85 | 130 |
| | Strokes | 1/min. | 26 | 32 | 27 | 21 |
| | Delivery cylinder | Ø mm | 230 | 230 | 250 | 230 |
| | Stroke | mm | 1400 | 1400 | 1400 | 2100 |

*) Delivery line boom max. 85 bar.
 All data maximum theoretical.

Reach information diagram, Support



* depends on chassis
Dimensions can differ depending on configuration.



Range in which you must not work with the end hose.

Serial delivery scope

| | | |
|--|---|--|
| Agitator and water pump radio remote/on site controlled | Flushing water pump 160 l/min 25 bar | Support plates (4 x) in magazine (2 x) open |
| Cardan shaft maintenance free | Hinged elbow with cleaning port | Tool set incl. standard equipment |
| Central lubrication strip hopper | Hydraulic hose for replacement in hose pack | Towing eye |
| Chassis horn via remote control on hopper | Operating manuals 2 x (1 x paper, 1 x CD-ROM) spare part list | Wash-out port lid with slide pin |
| Concrete hopper RS 907 with agitator | Platform non-skid | Water supply, hopper (1/2") |
| Connections for hydraulic emergency supply | Pump on/off dependent on speed | Water tank 880 / 610 l, depends on core pump |
| C-pipe connection for filling water tank | Radio remote control proportional with display | Working light for illumination of hopper, detachable |
| Delivery cylinder chrome-plated | Rear and brake light 24 V | |
| Delivery line (1-layer) PM40, arm assembly | Remote control without display with 25 m cable | |
| Delivery piston 'compact' (09 H, 11 H, 16 H), 'single' (11 H LS) | Rubber collar on concrete hopper | |
| Diagnose interface | Side panel left foldable | |
| End hose 4,0 m DN 125 5,5" | Side panel right foldable | |
| Ergonic Graphic Display (EGD) with machine fault management | Spectacle wear plate DURO 22 | |
| Ergonic Pump System (EPS) incl. Ergonic Output Control (EOC) | Splash guard fixed | |
| | Spray hose 10 m incl. bracket | |
| | S-transfer tube switchover fast/slow | |

See quotation for exact serial delivery scope.
Comprehensive range of options available on request.

Putzmeister Concrete Pumps GmbH | P.O. Box 2152 | 72629 Aichtal | Tel. +49 7127 599-0 | Fax +49 7127 599-520 | pmw@pmw.de
Right to make amendments reserved | © by Putzmeister | All rights reserved | Printed in Germany | 1707